

Tank Tub Installation Instructions

INCLUDED PARTS:

(1) Tank Tub Basin	(1) 1 1/4" O-ring
(1) Tank Tub Lid	(1) 1 1/4" Gasket
(2) 2" O-rings	(4) Galvanized Steel Plates
(2) 2" Gaskets	

NOT INCLUDED PARTS:

SILICONE (used to secure floor plates)

STEP 1 – INSTALLATION LOCATION

Choose a location that is at least 10 ft from property lines and 5 ft from any public way Vent pipe, once through lid, must terminate at least 2 ft from any building opening. Surface must be level and capable of supporting the tub and full oil tank. Do not install in areas which block an exit, could flood or might subject the tub to excessive physical abuse.

STEP 2 – PREPARING TANK

VERY IMPORTANT: Set up tank ONLY ON 4" tank legs. (Do not install legs with flanges) If existing tank is being used, drain oil and inspect all seams for damage or corrosion.

Do not place damaged or leaking tanks in service

Close bottom opening with steel plug.

If thread sealants are required, use types which are rated for low temperatures, oil and other outdoor conditions.

STEP 3 – PLACING TANK IN TUB

Lay the Tank Tub on its side and using silicone (not included), secure galvanized steel plates to Tub floor.

Place Tank on side and level legs.

Slide Tank into Tub and turn upright.

Adjust tank to ensure proper placement on supports with air gap between tank and tub.

STEP 4 – PIPING TANK

When appropriate, install the fill-pipe inside tub where it will be accessible after opening lid.

If piping both the fill and vent out through the lid, pipe them so that they exit on the same side. This enables you to lift from the opposite end and view inside the tub without disturbing any piping.

FOR FILL LINE: Use (2) 2" Street Elbows to make swing joint on the outermost tank tapping. Install 24" nipple to extend beyond containment basin.

FOR VENT LINE: Install 2" vent alarm in next tapping then (1) 2" Street Elbow. Install 6" nipple, to extend the vent piping behind the fill joint. Install 2" elbow. Install 36" nipple (or combination of nipples and couplings) to extend vent line beyond containment.

FOR BEST FIT DO NOT USE COMBO VENT. USE THE OEM KING#4517 2X2 TANK ALARM. IF USING 1 1/4 USE VENT OF CHOICE

STEP 5 – INSTALLING OIL LINE

Due to limited access to the bottom of the tank, the oil line CAN ONLY be pulled from the top of the tank.

Drill a 5/8" exit hole for each oil line just below the Tub Basin flange. (look for factory pilot holes).

Install burner supply / return line from tank top opening through side holes and route to burner away from heat sources or physical damage.

STEP 6 – INSTALLING THE LID

Using the Center Point alignment dimples located on each end of the Tank Tub lid, Drill out the appropriate fill and vent holes with a 2 1/2" hole saw.

The piping instructions for installing a 2" fill and 2" vent alarm system, If you choose to install an 1 1/4" vent alarm system, use a 1 3/4" hole saw and change all fittings to 1 1/4".

IMPORTANT: CONSULT LOCAL CODES FOR INSTALLATION AND USE OF THIS PRODUCT. IN THE ABSENCE OF SUCH LOCAL CODE REQUIREMENTS, THE FOLLOWING ARE MINIMUM RECOMMENDED INSTALLATION AND USE GUIDELINES.

THIS PRODUCT IS INTENDED TO PROVIDE TEMPORARY SECONDARY CONTAINMENT AND ENVIRONMENTAL / PHYSICAL PROTECTION TO LISTED UL 80 OR 142 STEEL PRIMARY TANKS FOR OIL BURNER FUEL (#2 FUEL OIL OR EQUIVALENT) OF MAX 330 GAL. OTHER USES OF THIS PRODUCT HAVE NOT BEEN EVALUATED.

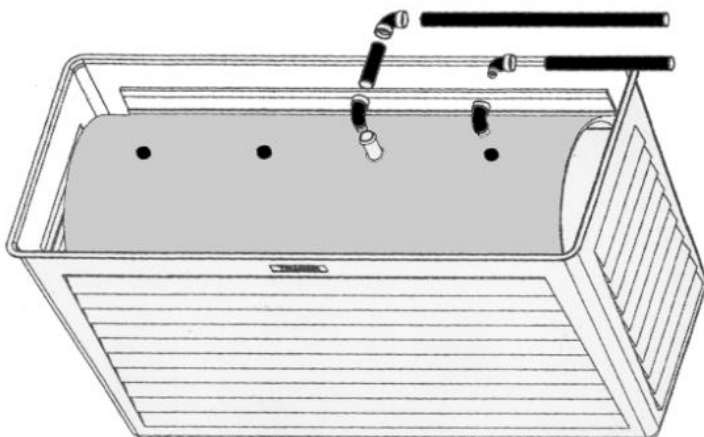
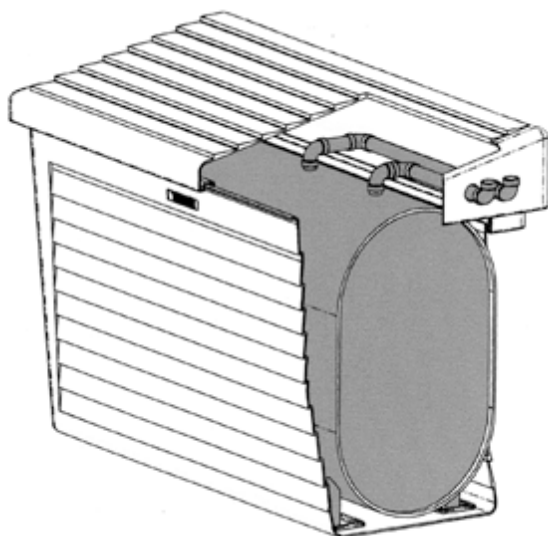
Hook the cover over the fill and vent pipes.
Align lid foam supports so that they fit over piping.
To keep water from entering in fill and vent holes, slide on the appropriate flat gaskets on fill and vent pipes followed by their matching O-rings. (If water manages to reach behind these seals it will drain out the drip holes in the lid flange.)

STEP 7 – FINISHING STEPS

Install the fill box and vent cap to complete the piping installation
OPTIONAL: Install 2 screws into cover flange to ensure cover does not lift in windy conditions.

STEP 8 – INSPECT TANK

Inspect tank and tub periodically for proper operation of level gauges, vents and check for leakage, damage or other unsafe conditions. Contact Oil Storage Solutions Canada **toll free 1-866-OILTUBS (645-8827)** or your installer for information if these conditions exist.



2" VENT AND FILL PIPE INSTALLATION

2" vent alarm

2" street elbow

6" nipple

2" elbow

2" x 36" nipple (due to variations in tanks, pipe the fill and vent from the side of your tank with the shortest distance to the first tapping)

Change all 2" to 1-1/4 for 1-1/4 vent system